

Our BF range of pallet trucks offer's a durable and low maintenance product with a proven track record at an economic price.

Many features such as double fork rollers, Polyurethane wheels

release operation controls are included as standard.

The frames are made from a heavy grade steel construction and finished in an epoxy powder coated paint that offers greater Anti-corrosion resistance.

The trucks are TUV/CE tested to comply with the 98/37/EC Machinery Directive



Polyurethane

are generally the most popular wheel type and are a cast wheel with a polyurethane tyre around the outer, this wheel gives a better grip on smooth floors and is quieter running than Nylon. This softer wheel type also tends to be better for use on delicate flooring (finished floor surface).



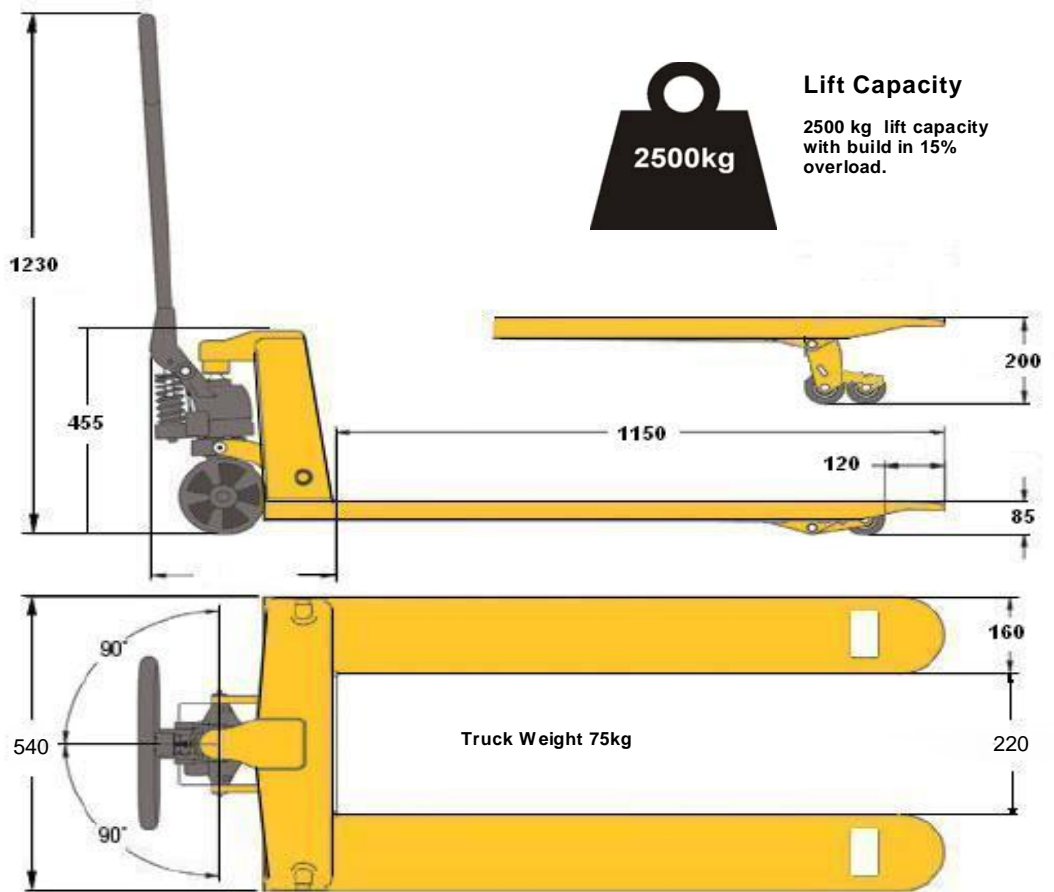
Pallet Types

Industry standard size for lifting open and closed bottom pallets of variouse Sizes.



Parts

We have a full range of spare parts available for our AC range of pallet



Lift Capacity

2500 kg lift capacity with build in 15% overload.

All dimensions are in mm



Pump Unit

Heavy Duty low Maintenance pump unit with 10 pump strokes to max lift Height.



Double Roller

Polyurethane Double fork rollers fitted as standard.

1-2 Day UK mainland delivery

1 year warrantee On pump unit

Double fork Rollers

Cirtificate available On request

PALLET TRUCK CHOCK



also consider purchasing our pallet truck chock

MIDLAND PALLET TRUCKS LTD
Part of the Midland Group of Companies
Telephone 01384 841440 Fax 01384 841450
Email. sales@midlandpallettrucks.com
Visit our Pallet truck Shop at :- www.midlandpallettrucks.com